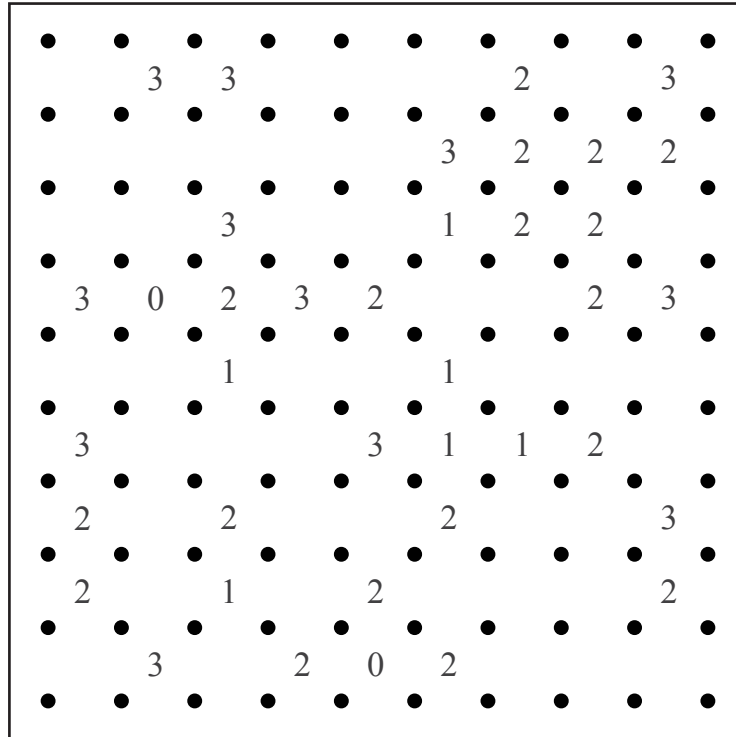
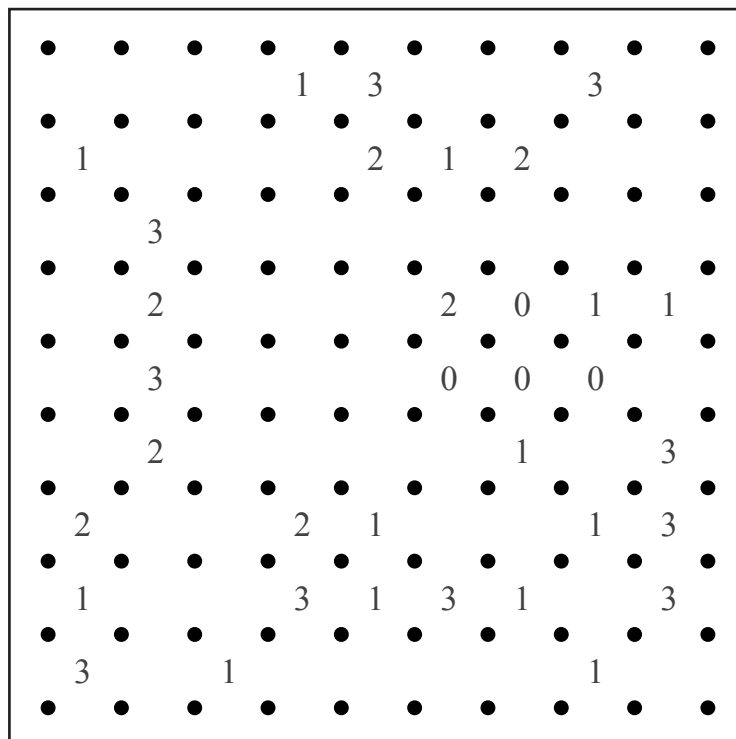


## 9 BY 9 SLITHERLINK (MEDIUM NO. 27 AND 28)

THE OBJECTIVE IS TO CONNECT DOTS IN THE GRID HORIZONTALLY OR VERTICALLY SO THAT THE LINES FORM A CONTINUOUS PATH (SLITHERLINK) WITH NO LOOSE ENDS OR BRANCHES. THE NUMBER INSIDE A DOTTED SQUARE INDICATE HOW MANY OF ITS 4 SIDES ARE PART OF THE PATH.

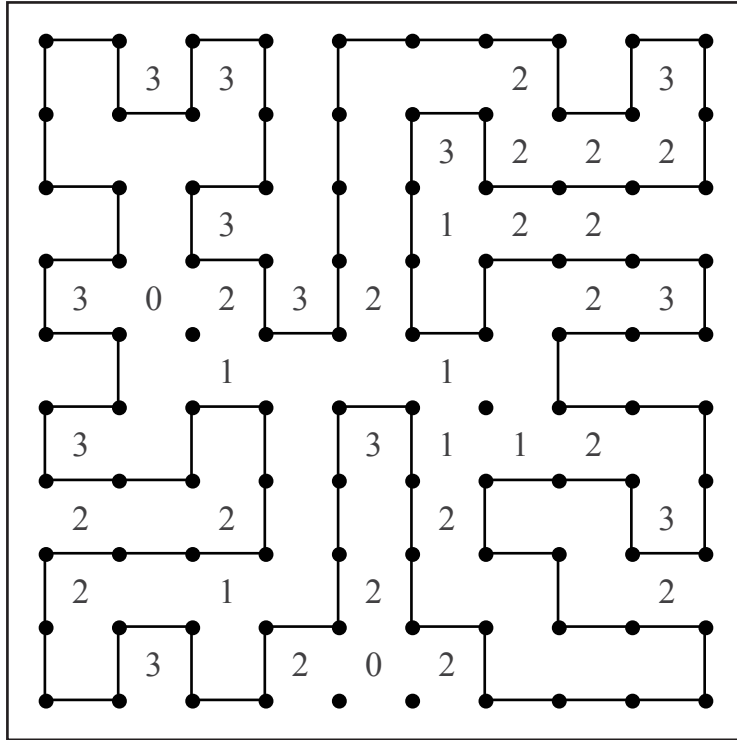


0909 SLITHERLINK MEDIUM 27

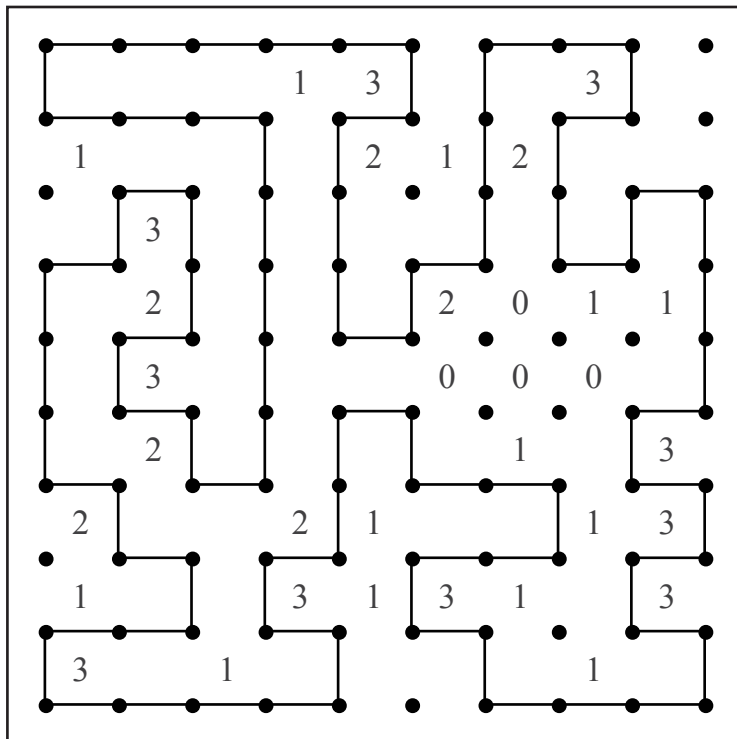


0909 SLITHERLINK MEDIUM 28

# ANSWERS



0909 SLITHERLINK MEDIUM 27



0909 SLITHERLINK MEDIUM 28