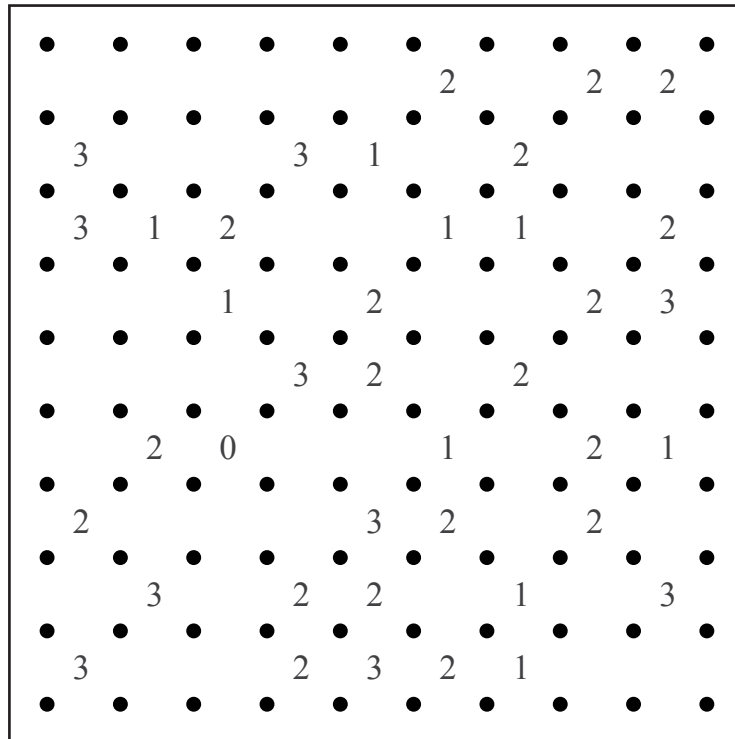


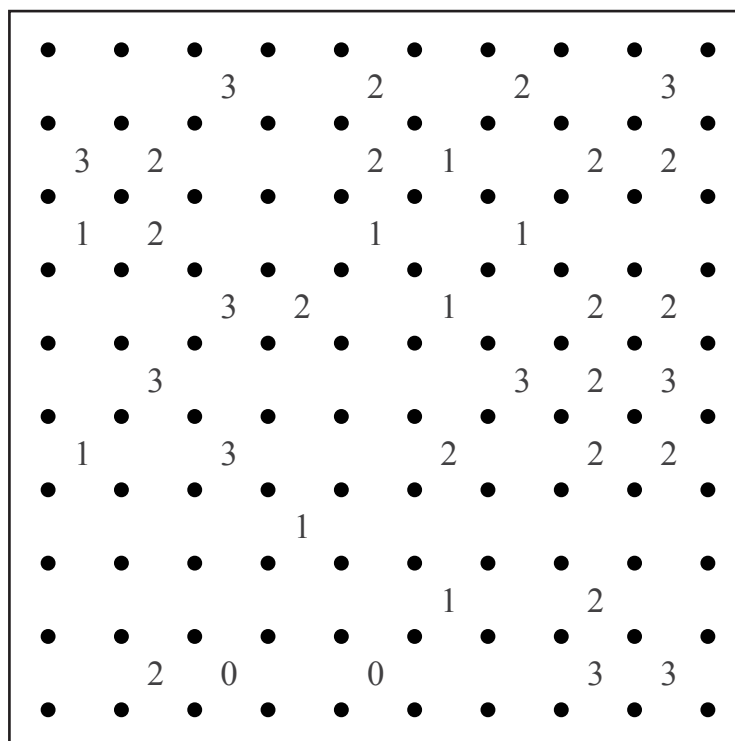
# PUZZLES and BRAINS

## 9 BY 9 SLITHERLINK (HARD NO. 37 AND 38)

THE OBJECTIVE IS TO CONNECT DOTS IN THE GRID HORIZONTALLY OR VERTICALLY SO THAT THE LINES FORM A CONTINUOUS PATH (SLITHERLINK) WITH NO LOOSE ENDS OR BRANCHES. THE NUMBER INSIDE A DOTTED SQUARE INDICATE HOW MANY OF ITS 4 SIDES ARE PART OF THE PATH.

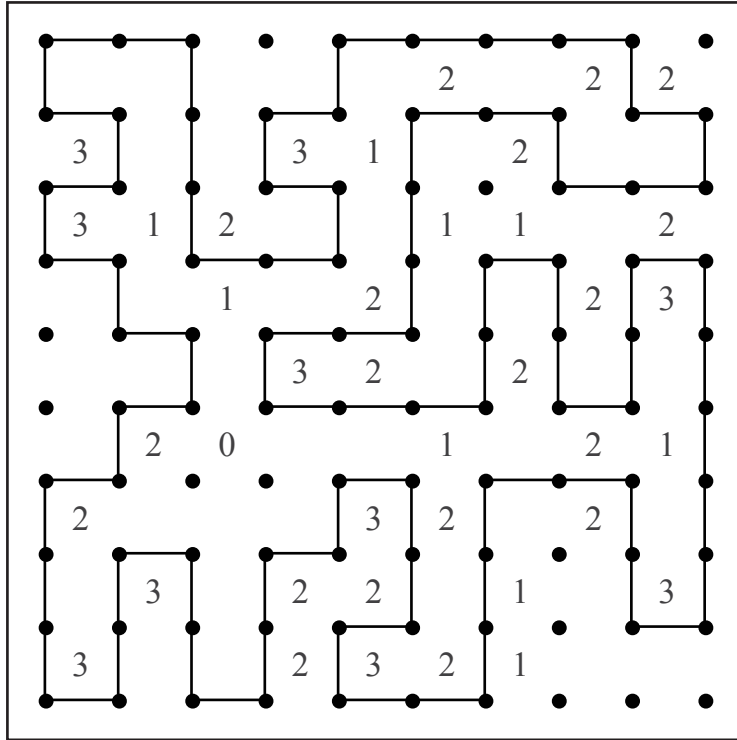


0909 SLITHERLINK HARD 37

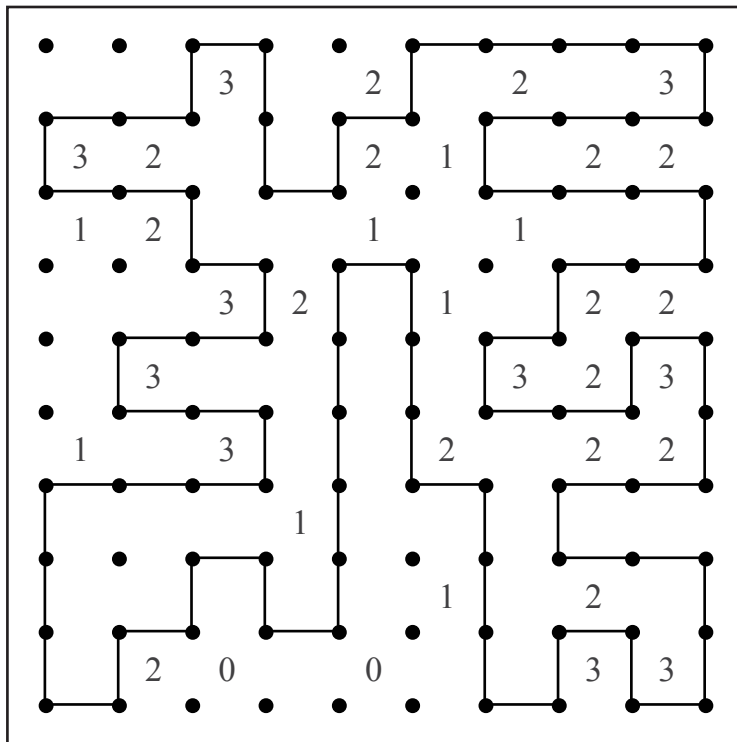


0909 SLITHERLINK HARD 38

# ANSWERS



0909 SLITHERLINK HARD 37



0909 SLITHERLINK HARD 38