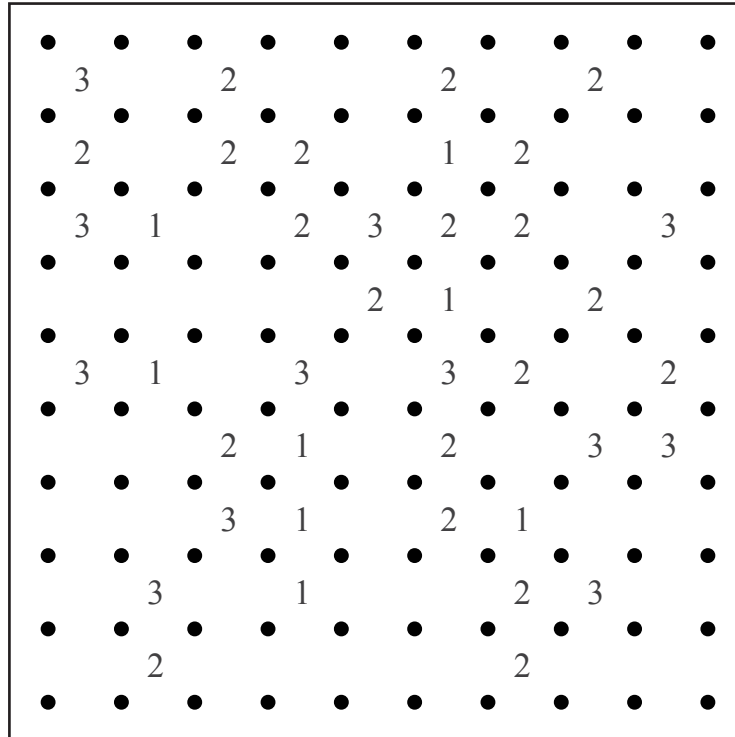
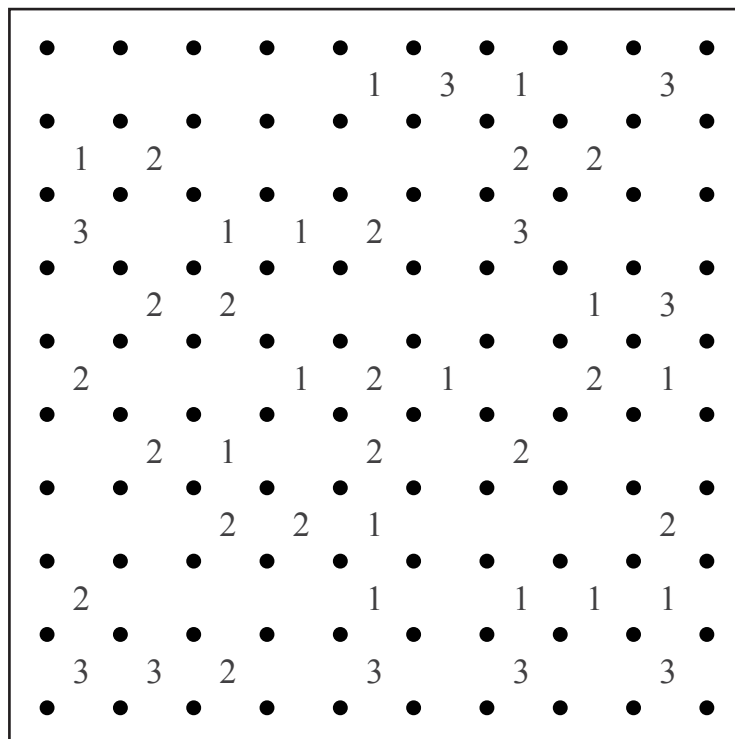


9 BY 9 SLITHERLINK (HARD NO. 17 AND 18)

THE OBJECTIVE IS TO CONNECT DOTS IN THE GRID HORIZONTALLY OR VERTICALLY SO THAT THE LINES FORM A CONTINUOUS PATH (SLITHERLINK) WITH NO LOOSE ENDS OR BRANCHES. THE NUMBER INSIDE A DOTTED SQUARE INDICATE HOW MANY OF ITS 4 SIDES ARE PART OF THE PATH.

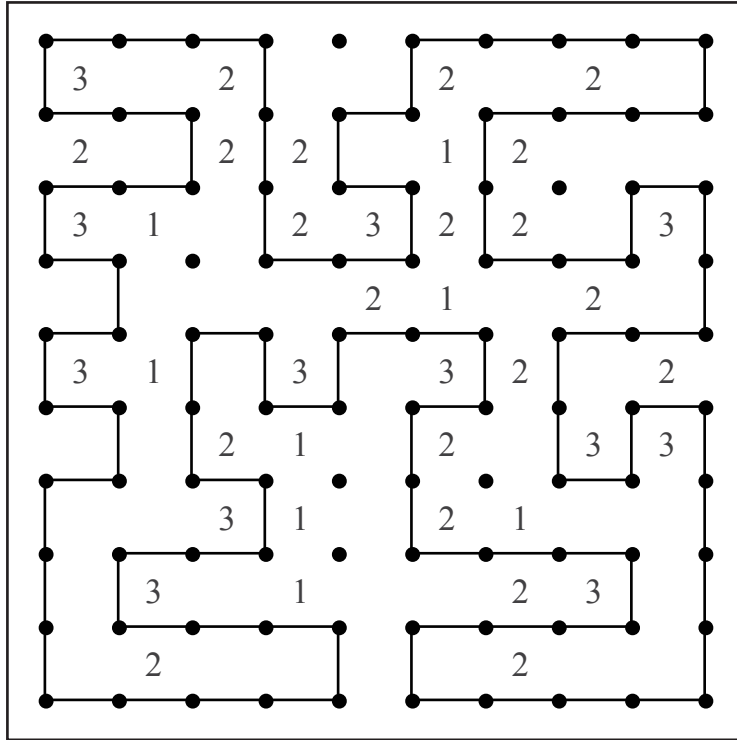


0909 SLITHERLINK HARD 17

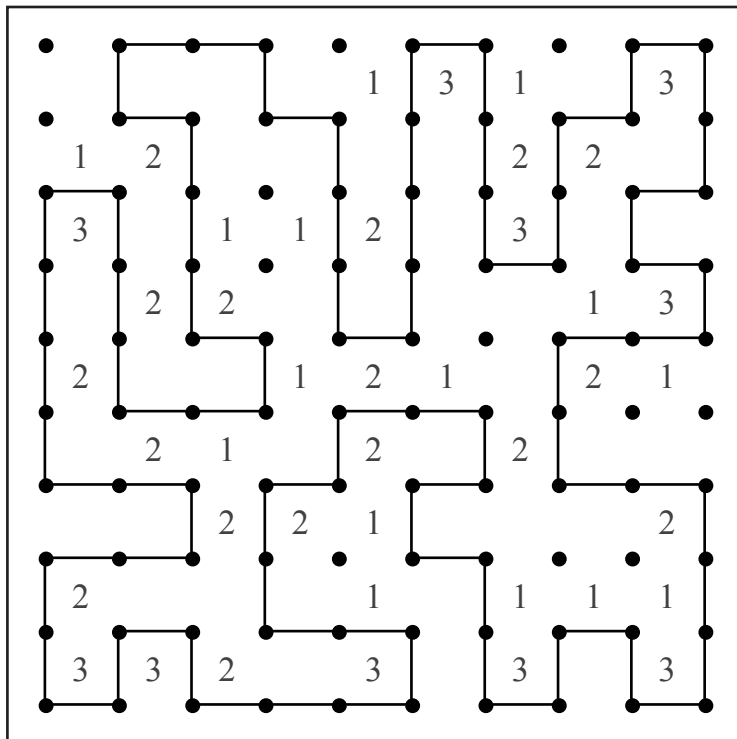


0909 SLITHERLINK HARD 18

ANSWERS



0909 SLITHERLINK HARD 17



0909 SLITHERLINK HARD 18