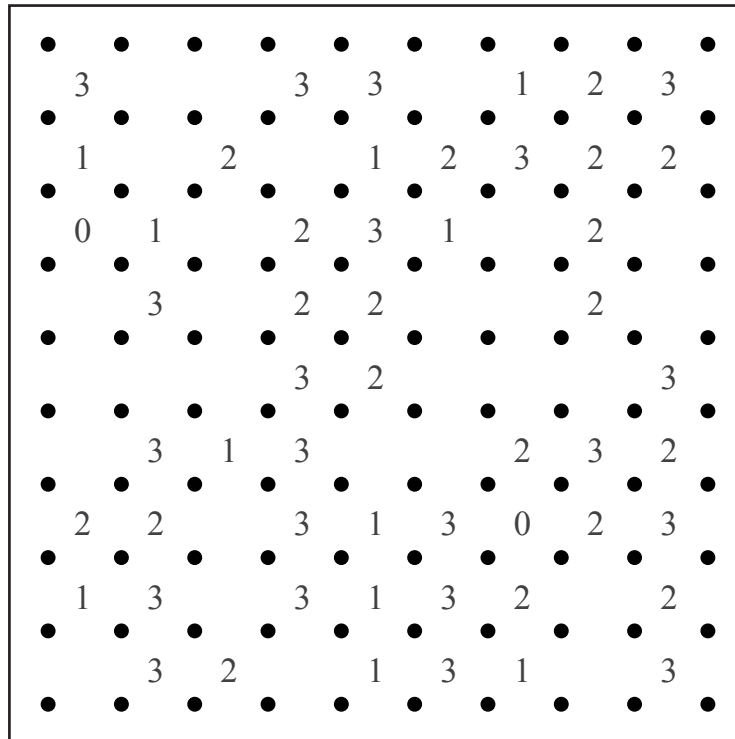


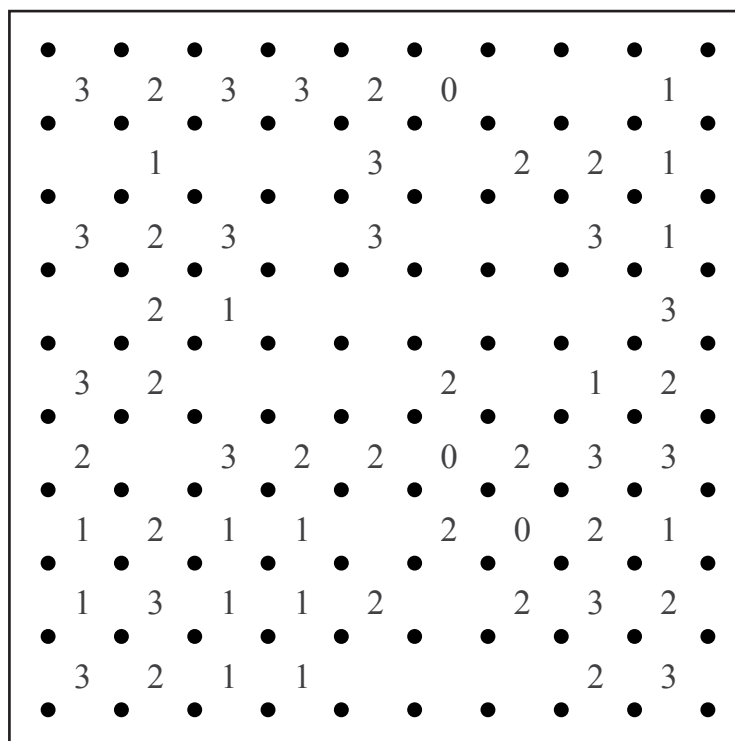
# PUZZLES and BRAINS

## 9 BY 9 SLITHERLINK (EASY NO. 25 AND 26)

THE OBJECTIVE IS TO CONNECT DOTS IN THE GRID HORIZONTALLY OR VERTICALLY SO THAT THE LINES FORM A CONTINUOUS PATH (SLITHERLINK) WITH NO LOOSE ENDS OR BRANCHES. THE NUMBER INSIDE A DOTTED SQUARE INDICATE HOW MANY OF ITS 4 SIDES ARE PART OF THE PATH.

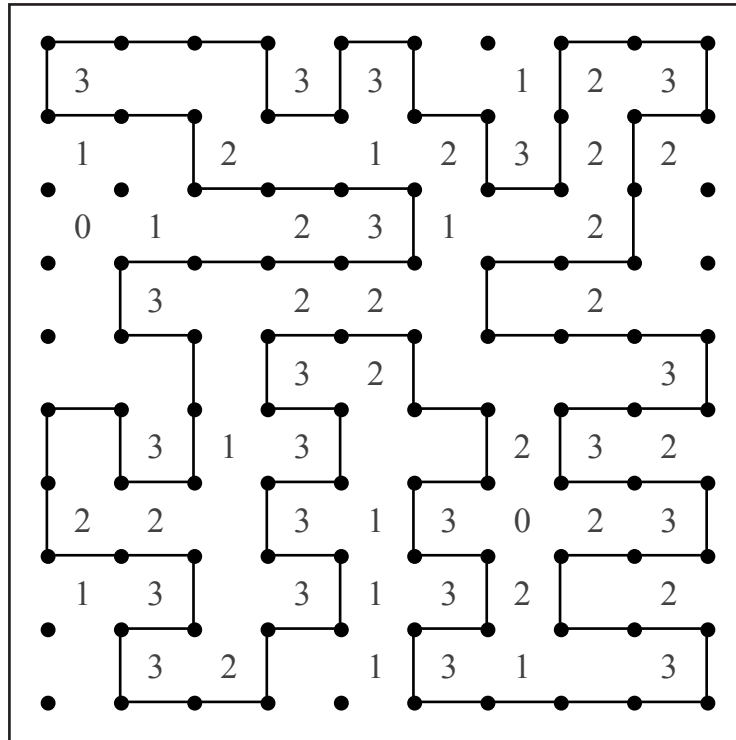


0909 SLITHERLINK EASY 25

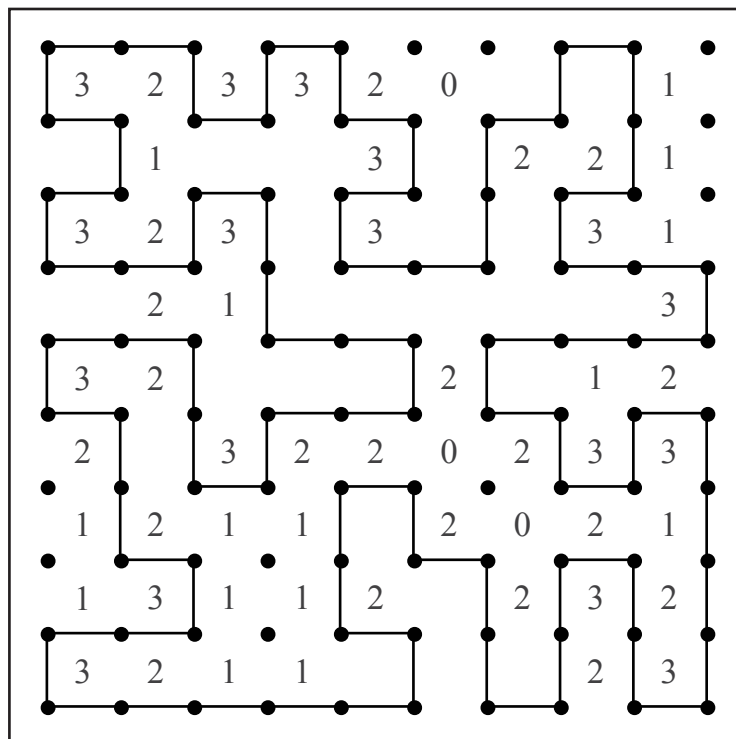


0909 SLITHERLINK EASY 26

# ANSWERS



0909 SLITHERLINK EASY 25



0909 SLITHERLINK EASY 26