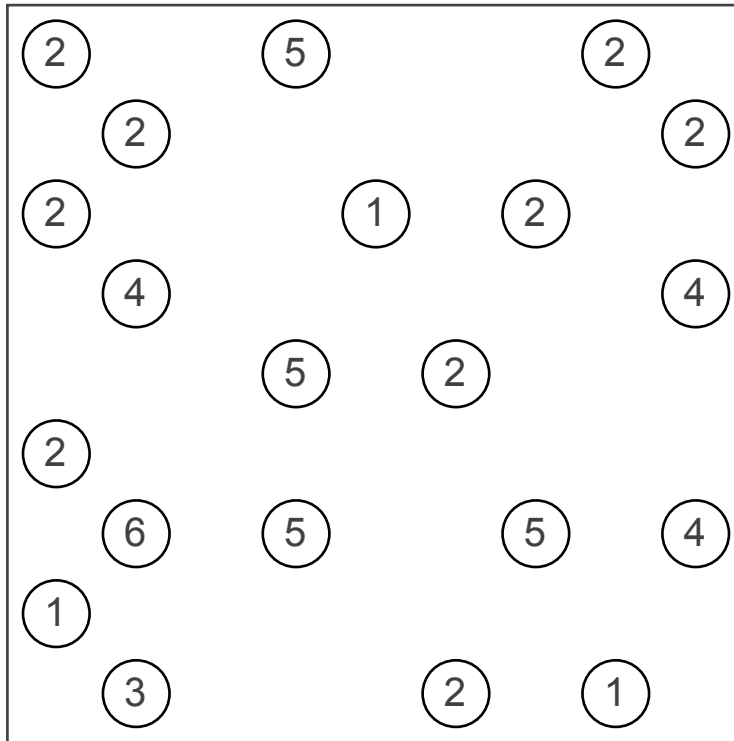
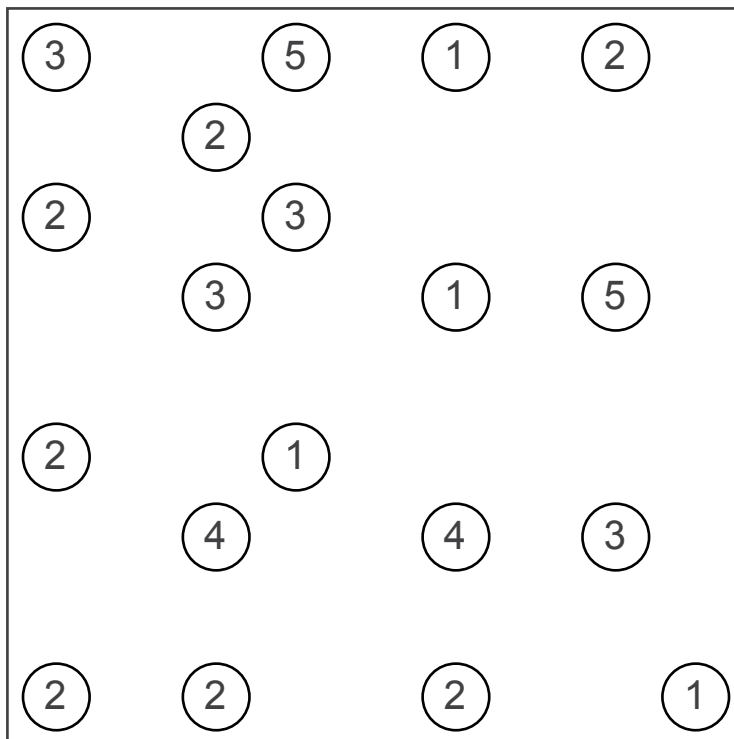


## 9 BY 9 BUILD BRIDGES (NO. 23 AND 24)

CONNECT ALL ISLANDS INTO A SINGLE GROUP BY DRAWING HORIZONTAL OR VERTICAL LINES (BRIDGES). YOU CAN DRAW A SINGLE OR DOUBLE LINE BETWEEN EACH ISLAND (NOT MORE). THE TOTAL NUMBER OF BRIDGES THAT CONNECT AN ISLAND MATCHES THE NUMBER ON IT. THE BRIDGES MAY NOT CROSS EACH OTHER.

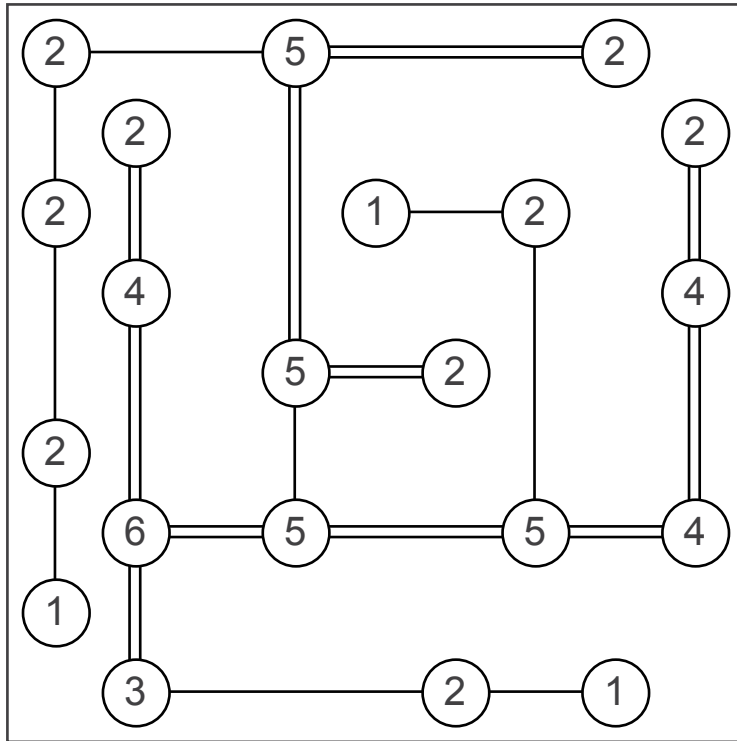


0909 BUILD BRIDGES 23

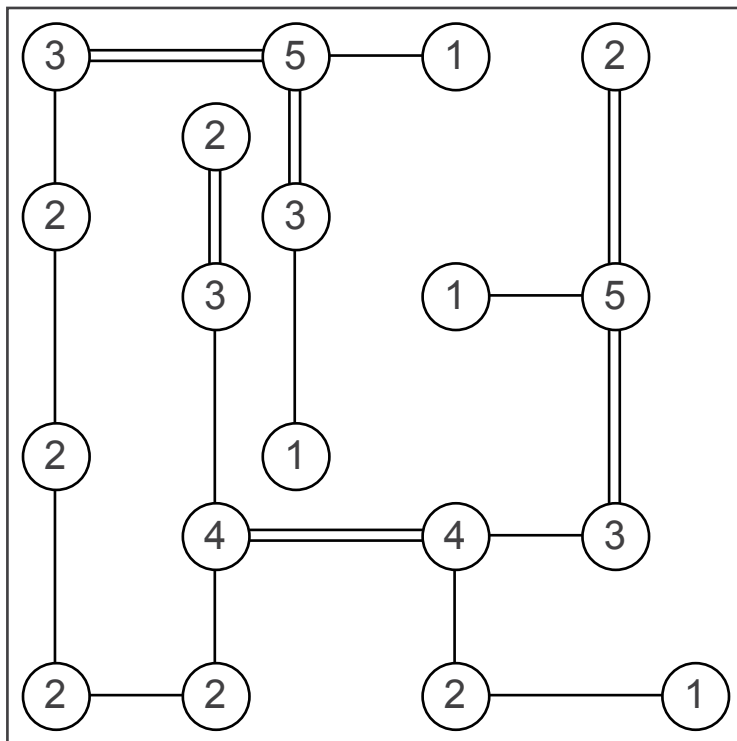


0909 BUILD BRIDGES 24

# ANSWERS



0909 BUILD BRIDGES 23



0909 BUILD BRIDGES 24