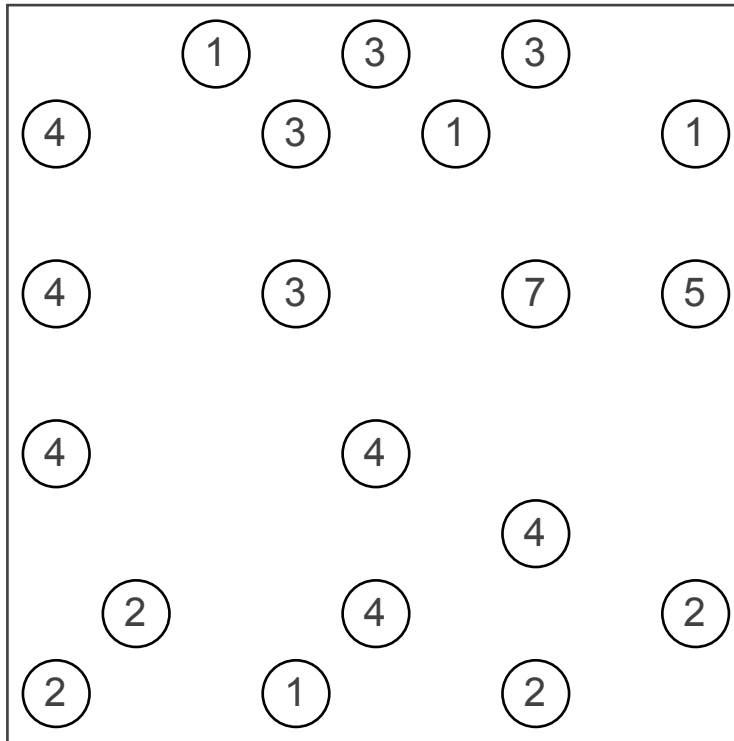
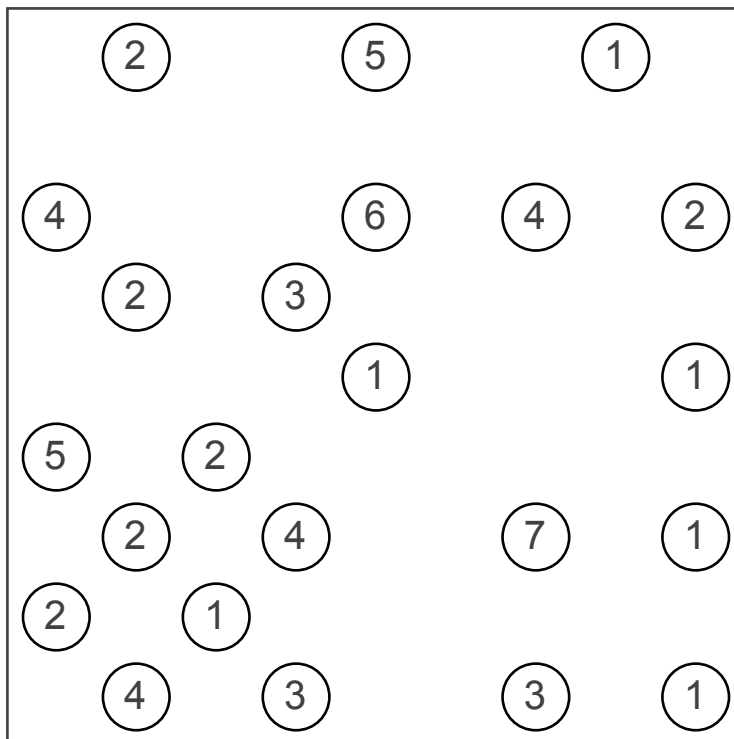


9 BY 9 BUILD BRIDGES (NO. 13 AND 14)

CONNECT ALL ISLANDS INTO A SINGLE GROUP BY DRAWING HORIZONTAL OR VERTICAL LINES (BRIDGES). YOU CAN DRAW A SINGLE OR DOUBLE LINE BETWEEN EACH ISLAND (NOT MORE). THE TOTAL NUMBER OF BRIDGES THAT CONNECT AN ISLAND MATCHES THE NUMBER ON IT. THE BRIDGES MAY NOT CROSS EACH OTHER.

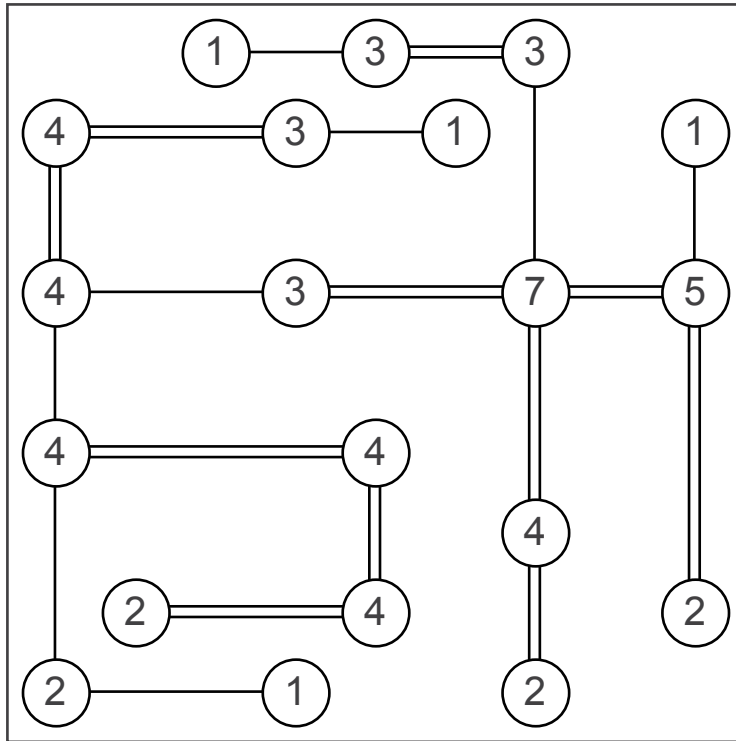


0909 BUILD BRIDGES 13

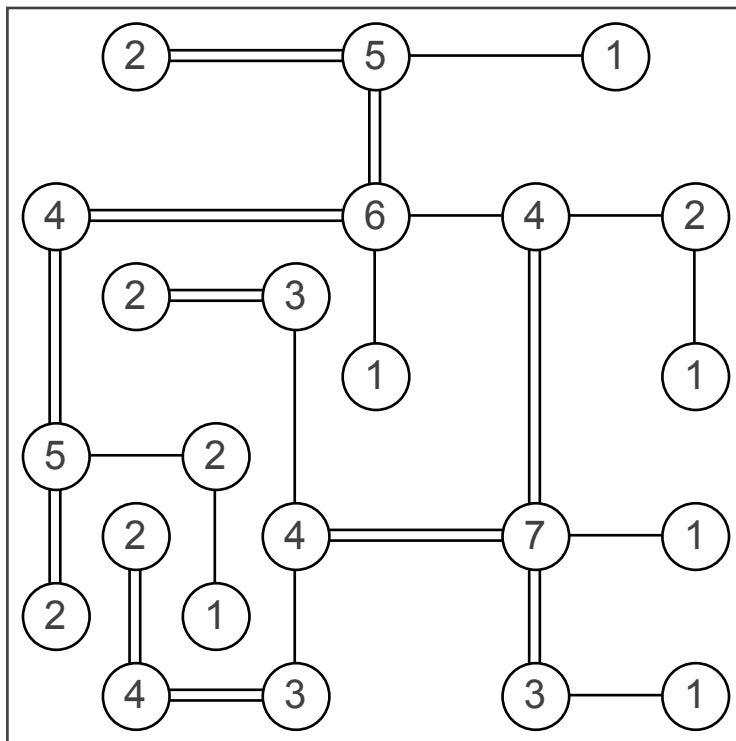


0909 BUILD BRIDGES 14

ANSWERS



0909 BUILD BRIDGES 13



0909 BUILD BRIDGES 14