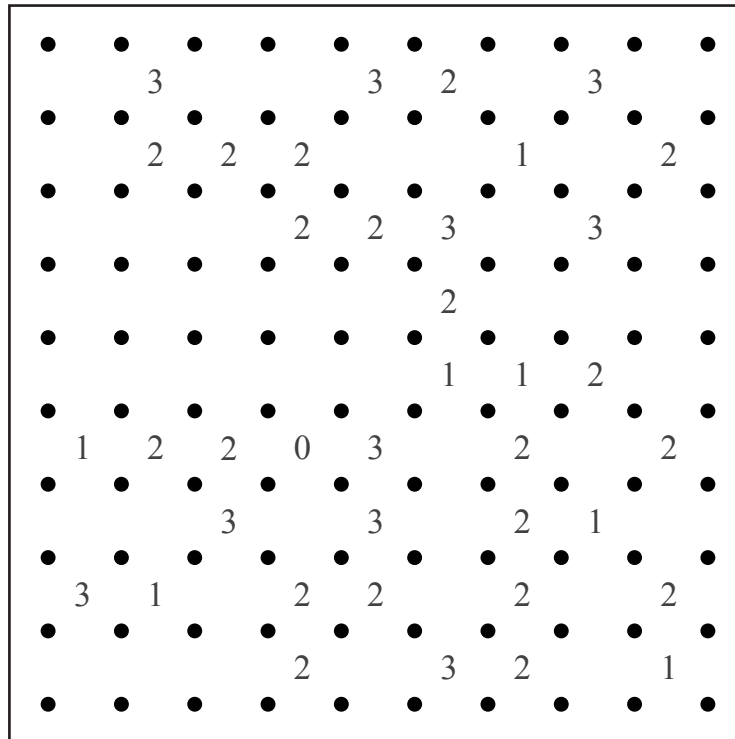
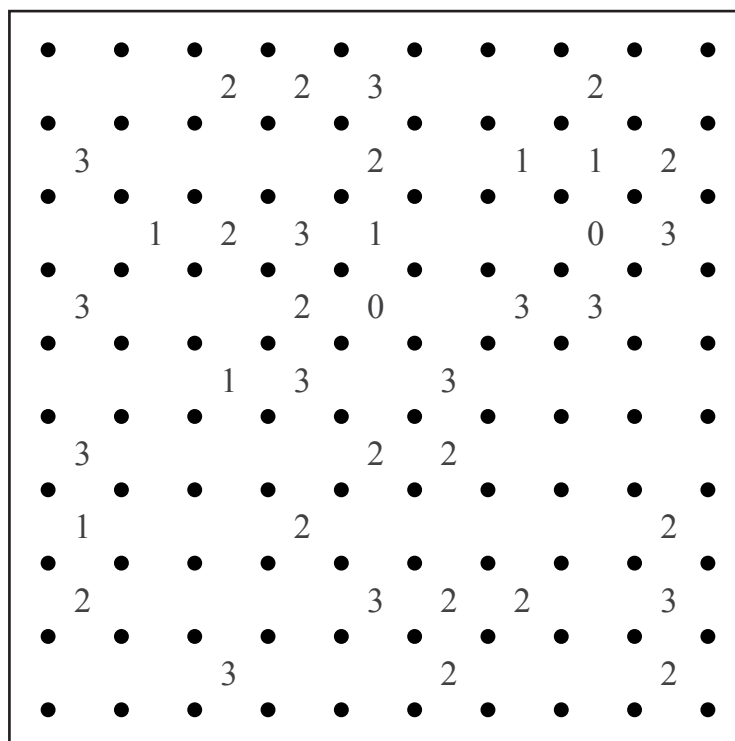


9 BY 9 SLITHERLINK (MEDIUM NO. 5 AND 6)

THE OBJECTIVE IS TO CONNECT DOTS IN THE GRID HORIZONTALLY OR VERTICALLY SO THAT THE LINES FORM A CONTINUOUS PATH (SLITHERLINK) WITH NO LOOSE ENDS OR BRANCHES. THE NUMBER INSIDE A DOTTED SQUARE INDICATE HOW MANY OF ITS 4 SIDES ARE PART OF THE PATH.

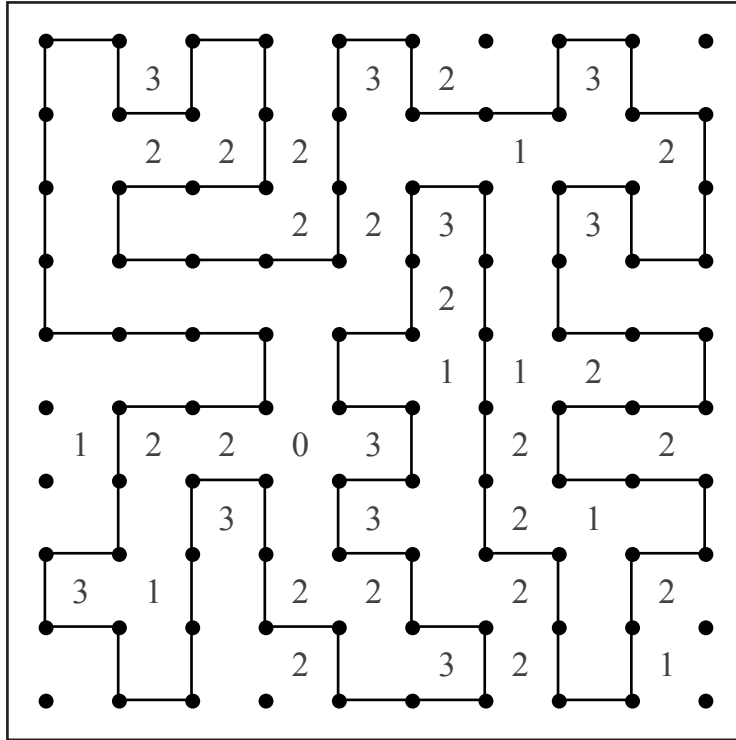


0909 SLITHERLINK MEDIUM 5

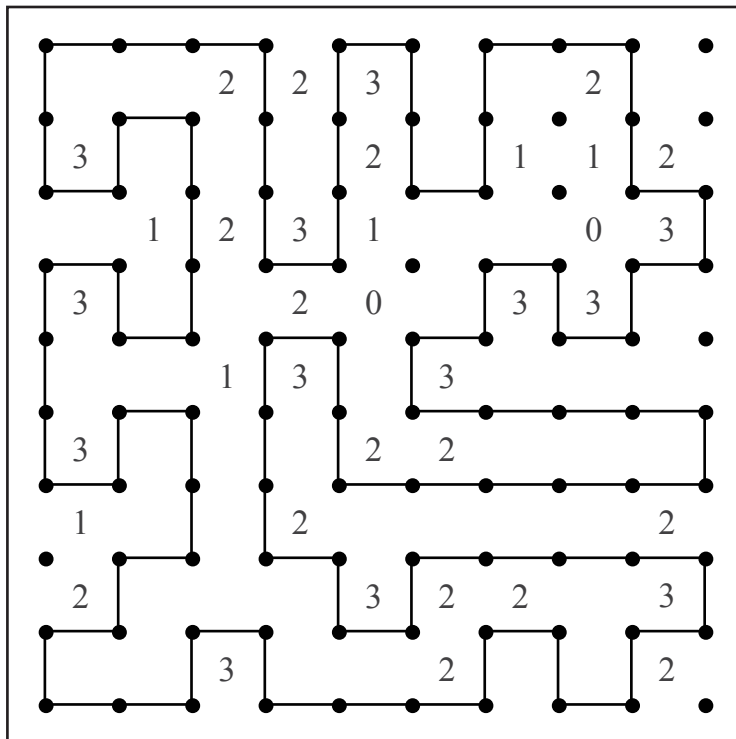


0909 SLITHERLINK MEDIUM 6

ANSWERS



0909 SLITHERLINK MEDIUM 5



0909 SLITHERLINK MEDIUM 6