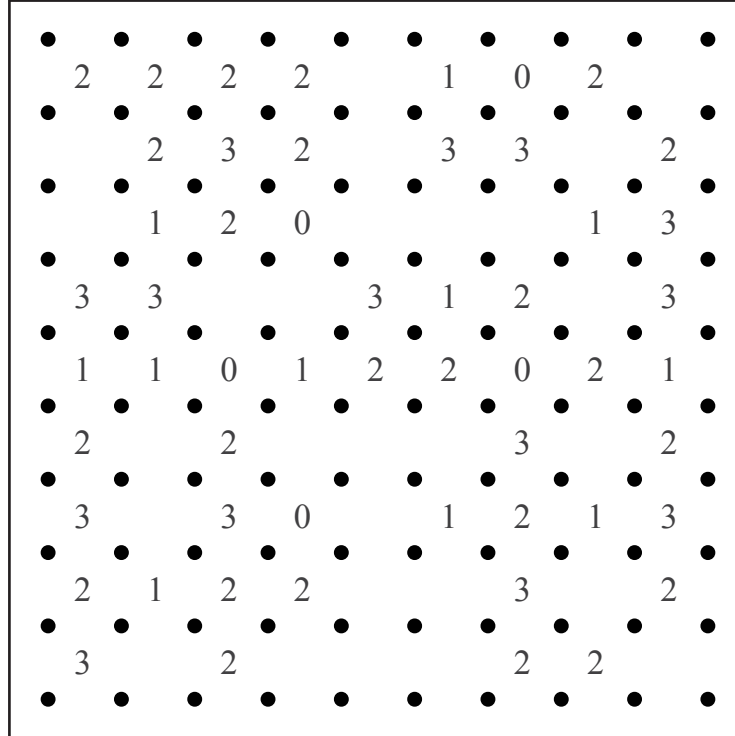
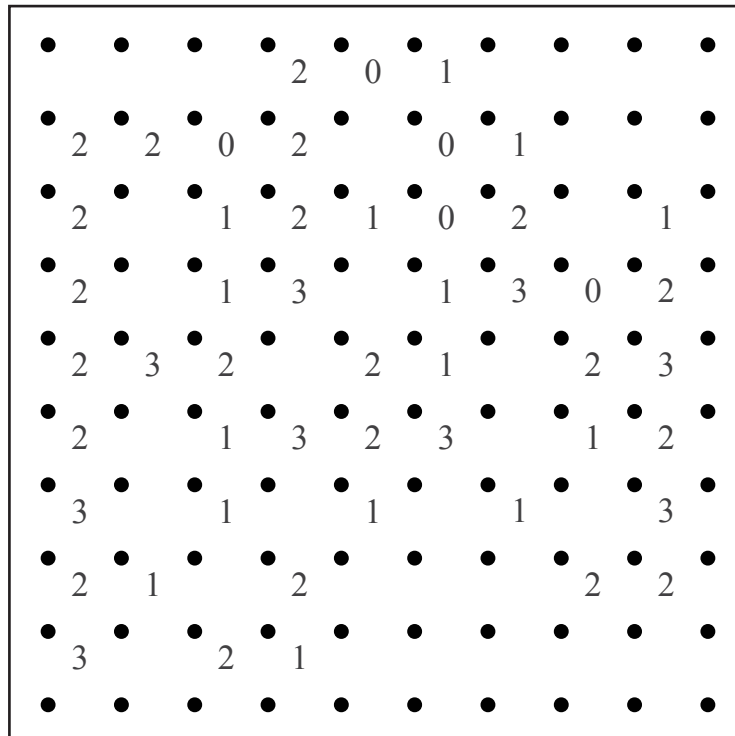


9 BY 9 SLITHERLINK (EASY NO. 1 AND 2)

THE OBJECTIVE IS TO CONNECT DOTS IN THE GRID HORIZONTALLY OR VERTICALLY SO THAT THE LINES FORM A CONTINUOUS PATH (SLITHERLINK) WITH NO LOOSE ENDS OR BRANCHES. THE NUMBER INSIDE A DOTTED SQUARE INDICATE HOW MANY OF ITS 4 SIDES ARE PART OF THE PATH.

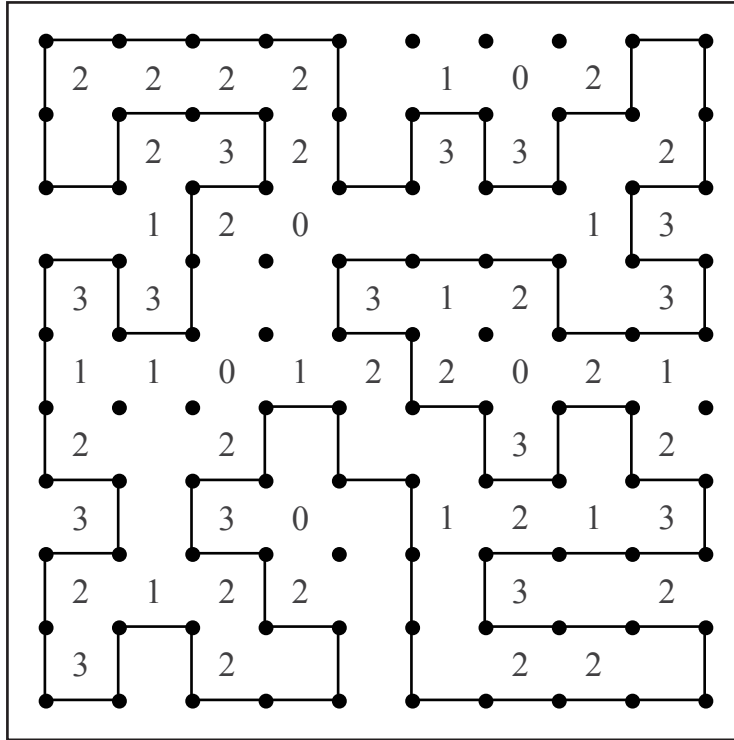


0909 SLITHERLINK EASY 1

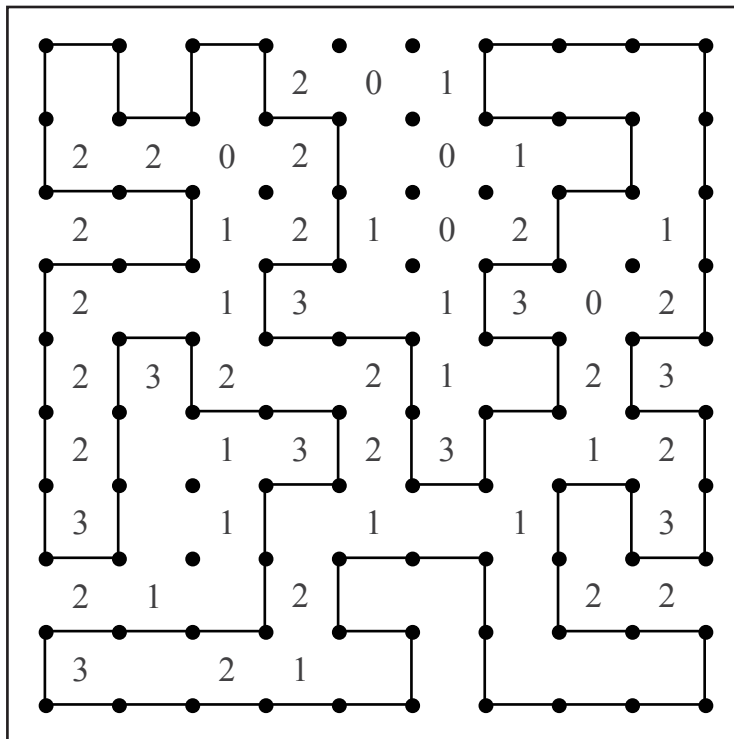


0909 SLITHERLINK EASY 2

ANSWERS



0909 SLITHERLINK EASY 1



0909 SLITHERLINK EASY 2