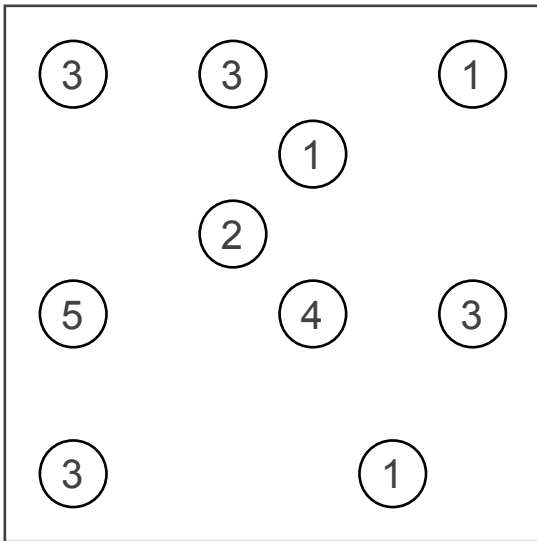
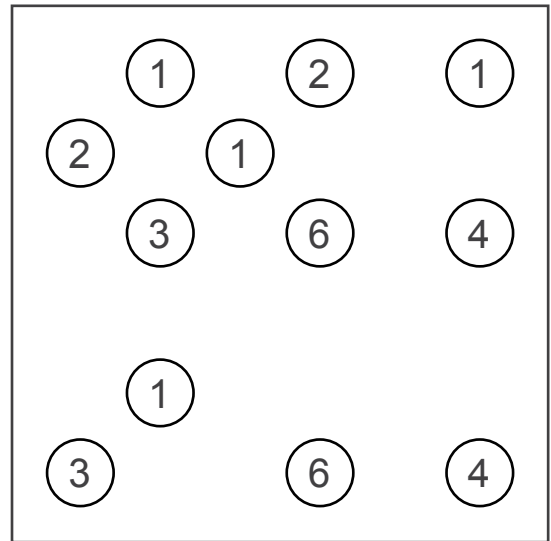


## 6 BY 6 BUILD BRIDGES (NO. 17 TO 20)

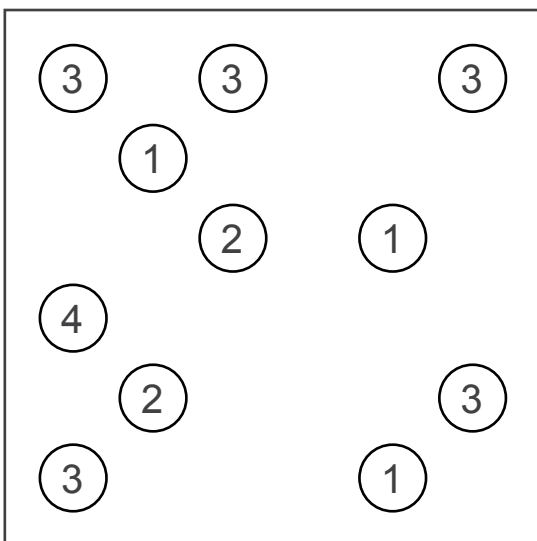
CONNECT ALL ISLANDS INTO A SINGLE GROUP BY DRAWING HORIZONTAL OR VERTICAL LINES (BRIDGES). YOU CAN DRAW A SINGLE OR DOUBLE LINE BETWEEN EACH ISLAND (NOT MORE). THE TOTAL NUMBER OF BRIDGES THAT CONNECT AN ISLAND MATCHES THE NUMBER ON IT. THE BRIDGES MAY NOT CROSS EACH OTHER.



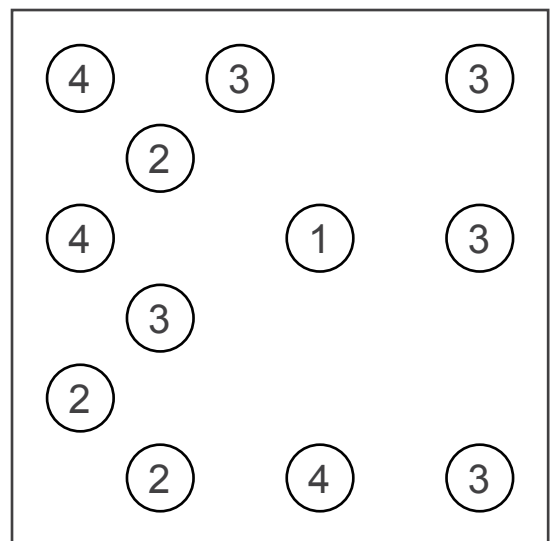
0606 BUILD BRIDGES 17



0606 BUILD BRIDGES 18

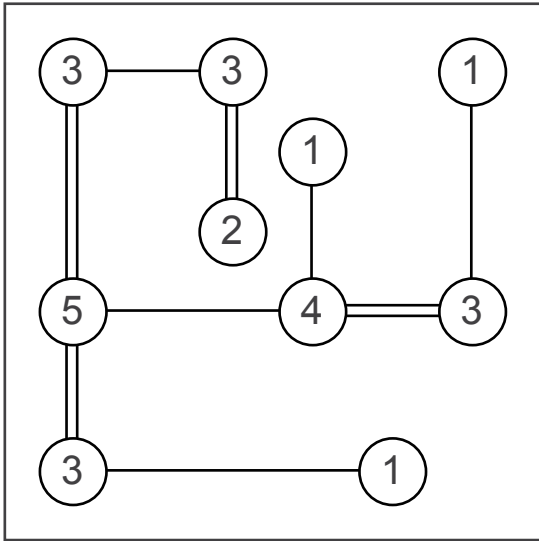


0606 BUILD BRIDGES 19

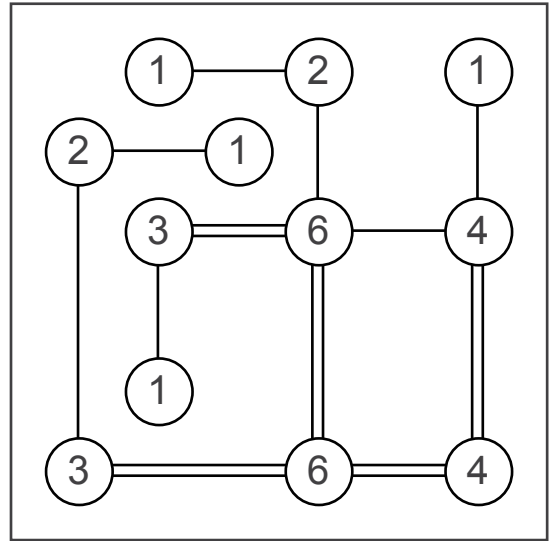


0606 BUILD BRIDGES 20

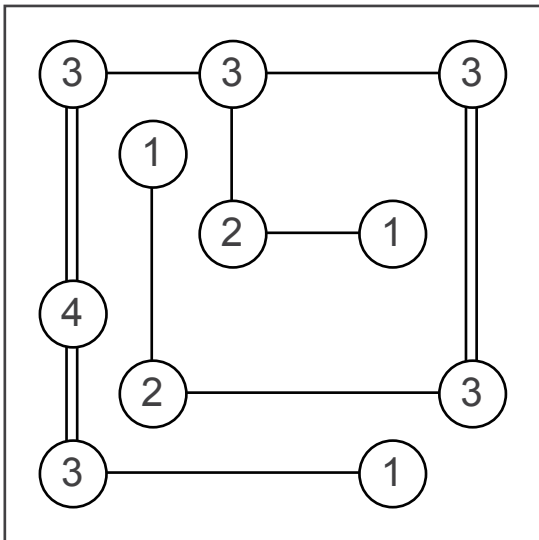
# ANSWERS



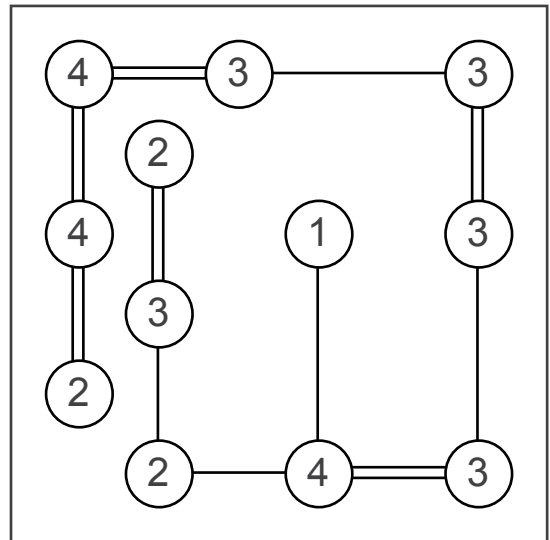
0606 BUILD BRIDGES 17



0606 BUILD BRIDGES 18



0606 BUILD BRIDGES 19



0606 BUILD BRIDGES 20