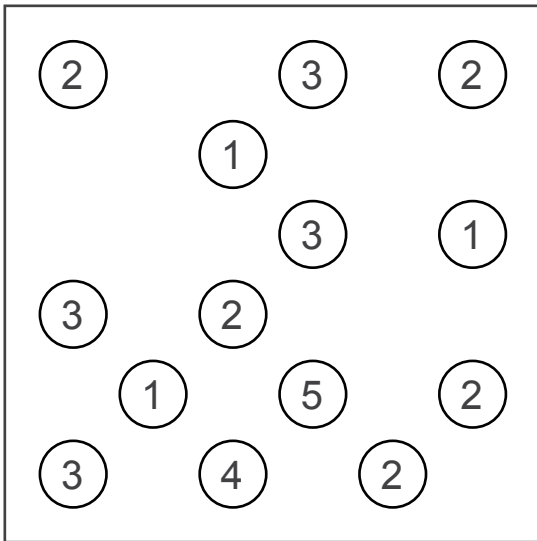
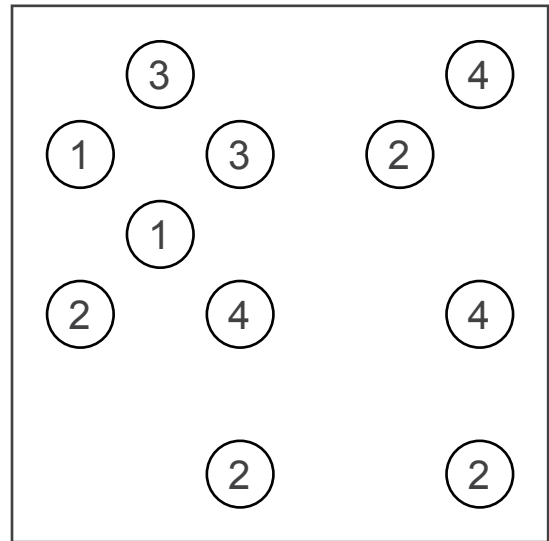


6 BY 6 BUILD BRIDGES (NO. 13 TO 16)

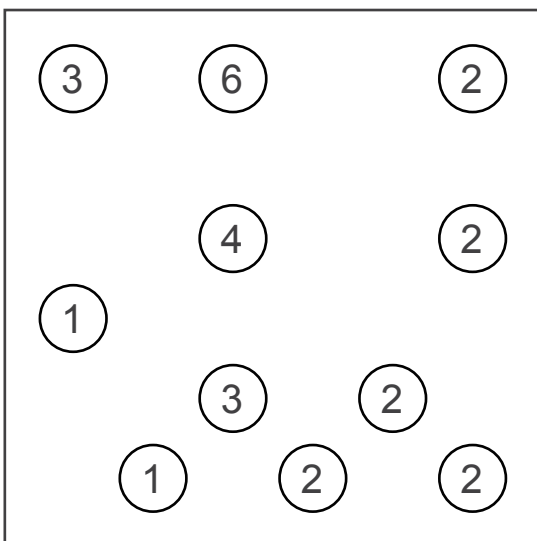
CONNECT ALL ISLANDS INTO A SINGLE GROUP BY DRAWING HORIZONTAL OR VERTICAL LINES (BRIDGES). YOU CAN DRAW A SINGLE OR DOUBLE LINE BETWEEN EACH ISLAND (NOT MORE). THE TOTAL NUMBER OF BRIDGES THAT CONNECT AN ISLAND MATCHES THE NUMBER ON IT. THE BRIDGES MAY NOT CROSS EACH OTHER.



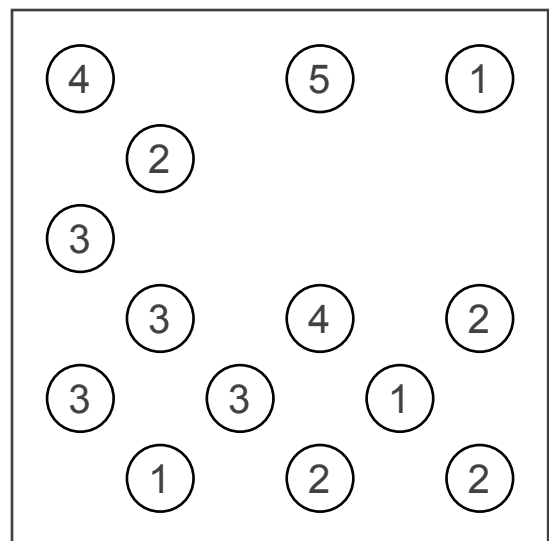
0606 BUILD BRIDGES 13



0606 BUILD BRIDGES 14

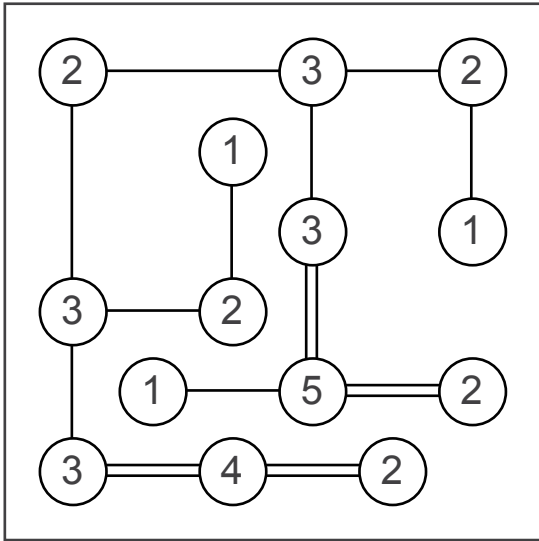


0606 BUILD BRIDGES 15

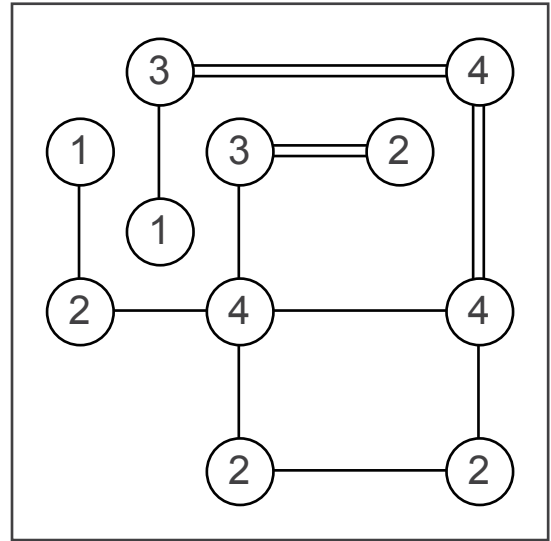


0606 BUILD BRIDGES 16

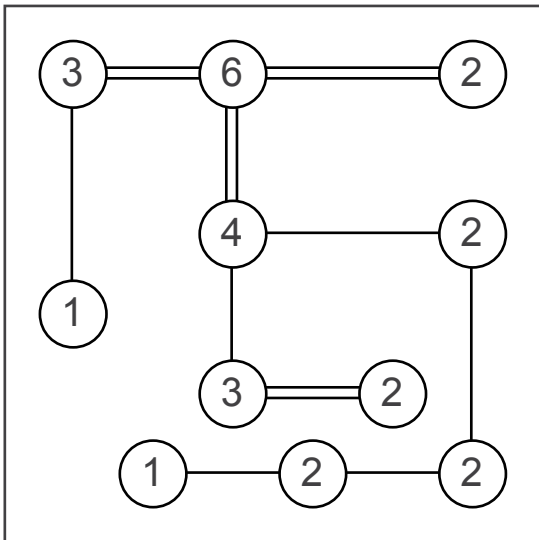
ANSWERS



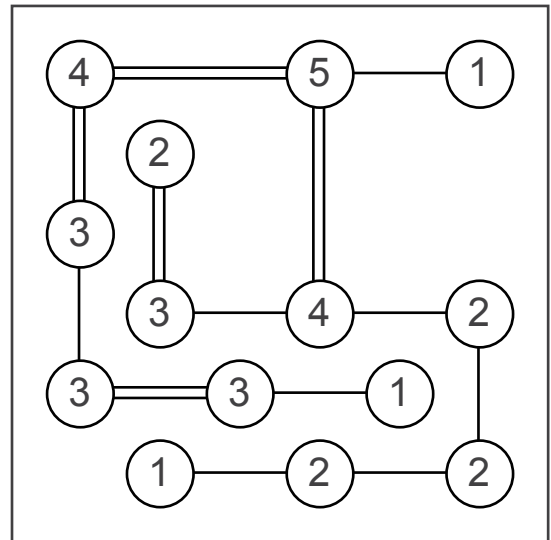
0606 BUILD BRIDGES 13



0606 BUILD BRIDGES 14



0606 BUILD BRIDGES 15



0606 BUILD BRIDGES 16